

Just The Facts



FS-9530DN/9130DN

Product Overview

51/40 Page Per Minute Enterprise/Workgroup Monochrome Network Laser Printers with Standard Network Interface. Standard Stackless Duplex, 500 x 2 Sheet Paper Drawers and 200 Sheet MPT. Standard 128MB RAM (9530) or 64MB RAM (9130) and an optional 40GB Printer HDD. Optional Paper Handling and Advanced Finishing. Optional Data Security Kit.

Technology

- **Imaging System:** Laser
- **Monocomponent Technology**
- **Controller:** PowerPC750FL 600 MHz
- **Print Resolution:**
 - Fine 1200 Mode: 1,200 x 1,200 dpi
 - Fast 1200 Mode: 2,400 x 600 dpi
 - 1,800 x 600 dpi (Interpolated)
 - 600 x 600 dpi
 - 300 x 300 dpi
- **Gradation:** 256 Levels
- **Maximum Monthly Volume:**
 - FS-9530DN - 300,000 Pages
 - FS-9130DN - 200,000 Pages

Speeds and Productivity

	9530	9130
Letter	51	40
Letter R	31	27
Legal	31	27
Ledger	26	23
Warmup Time	60 seconds or less	
First Print Out (FPOT)	3.5 seconds or less	

Memory Management

	9530	9130
Standard RAM	128MB	64MB
Maximum RAM	640MB	576MB
Optional HDD	40GB	40GB

- Standard Compact Flash (Type 1)

Paper Handling

- **Standard 500 x 2 Sheet Paper Drawers**
 - Paper Size: Statement, Letter, Legal, Ledger
 - Paper Weights: 16 - 28lb Bond
 - User Adjustable
- **Standard 200-Sheet Multi-Purpose Tray**
 - Paper Size: Statement, Letter, Legal, Ledger
 - Paper Weights: 13lb Bond- 110lb Index
- **Standard Embedded Duplex**
 - Paper Size: Statement, Letter, Legal, Ledger
 - Paper Weights: 16 - 21lb Bond
- **Paper Output:** Face Down - 500 Sheets (20 lb Bond)

Connectivity & Interface

- **Standard Interfaces**
 - 10/100BaseTX Network Interface
 - Hi-Speed USB 2.0
 - IEEE 1284 Parallel
 - USB Host Interface (Full Speed)
 - KUIO Slot (2)
 - Slot 1 • Optional HD-ME5 40GB HDD
 - Slot 2 • Optional IB-11 RS-232C Serial
 - Optional IB-23 Secure NIC

Print Description Languages

- PDL/Emulations: PRESCRIBE, PCL 6 (XL, 5e, PJJ), KPDL3 (PS3), Diablo 630, IBM ProPrinter X24E, Epson LQ850, Line Printer

Fonts

- 136 Outline Fonts for KPDL
- 80 Outline Fonts for PCL XL/5e
- 1 Bitmap Font

Compatibility

- **Driver Support:**
 - KX Driver for Windows®
 - PPD for MAC
 - PPD for Linux/UNIX
 - Certified UNI Driver
 - Windows® 64-bit Drivers
- **Operating System Support:**
 - Windows® 95/98/Me/NT4/2000/XP/2003
 - Novell® 3.x/4.x/5.x/6.x
 - Mac OS 8.x/9.x/10.x
 - Unix-Sun OS 4.1.x; Solaris 2.x; AIX; HP-UX
- **Supported Protocols:**
 - TCP/IP, IPX/SPX, AppleTalk, NetBEUI
- **Utilities:** KM-NET Viewer, KM-NET for Clients, Kyocera Command Center, PDF Direct Printing, KX SpoolCenter, KM-NET for Accounting, IC-Link, PRESCRIBE Utilities

Management Reports

- 100 Account Codes
- User/ Department Name
- Paper Size
- Integrates with KM-NET for Accounting

Finishing

- Optional 3,000 Sheet Multi Finisher (DF-710)
 - 50 Sheet Multi-position Edge Staple
 - Four position stapling
 - Saddle Stitch
 - Letter/Legal/Ledger Booklets
 - Requires AK-705 Attachment Kit
- DF-710 Enhancement Options
 - Optional Booklet Folder (BF-710)
 - Folds up to 16 Sheets
 - Optional 2/3 Hole Punch (PH-5)
 - Optional 5 Bin Multi Tray (MT-710)
- Optional Simple Finisher (DF-730)
 - 30 Sheet Single Position Staple

Optional Data Security Kit (C)*

- Provides Security Overwrite and Encryption
- Automatic and Manual Deletion processes

Maintenance and Yields

- Monocomponent Technology
- 40K Toner Yield (5%)
 - ISO19752 Certified
 - *Printers ship with starter toner at 20K*
- Amorphous Silicon Drum
 - 500K Yield
- 500K Preventive Maintenance Schedules

Additional Information

- 23.6" W x 25.4" D x 24.2" H
- 150 lbs.
- 120V, 60Hz, 11.4A

- **Energy Star Compliant**
- **RoHS Compliant**



FS-9530DN/FS-9130DN standard configuration with PF-700 Dual Paper Drawers



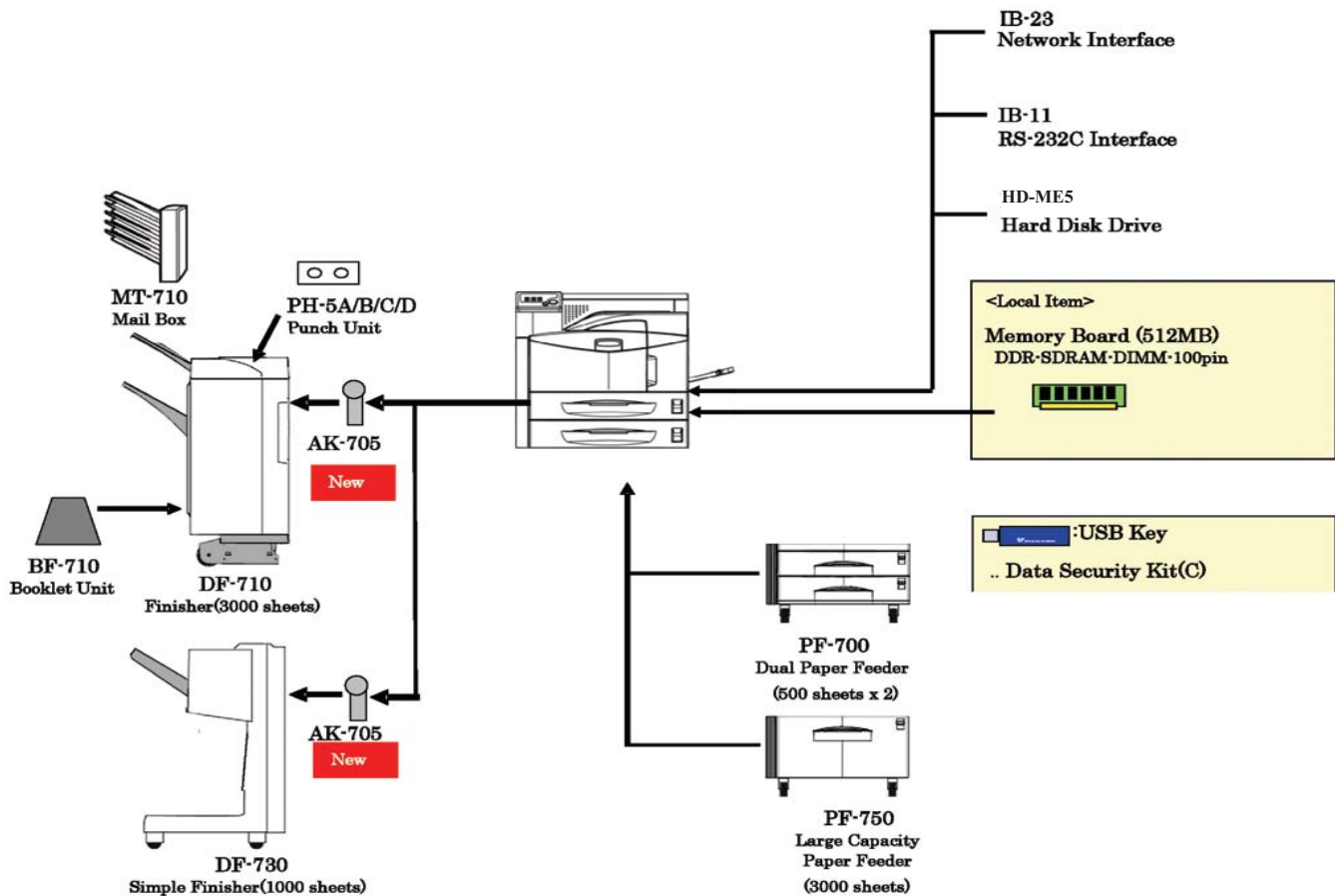
FS-9530DN/FS-9130DN standard configuration with PF-700 Dual Paper Drawers and DF-730 Simple Finisher



FS-9530DN/FS-9130DN standard configuration with PF-700 Dual Paper Drawers and DF-710 Multi Finisher

Product Configuration

Option	Description	Item Code	Related Option/Notes
PF-700	500 x 2 Universal Paper Drawers	1203J42US0	
PF-750	3,000 Sheet Letter Deck	1205H02US0	
DF-710	3,000 Sheet Multi Finisher	1203JY0UN0	
DF-730	1,000 Sheet Simple Finisher	1205H10UN0	
AK-705	Attachment Kit	1703JY0U20	DF-710; DF-730
BF-710	Booklet Folder	1203J10UN0	DF-710
PH-5A	2/3 Hole Punch Kit	1203KA2US0	DF-710
MT-710	7 Bin Mailbox	1203J20UN0	DF-710
Data Security Kit (C)	HDD Overwrite and Encryption Kit	1503KP0UN0	
IB-23	Secure NIC	1503K00000	
IB-11	RS-232C Serial Interface	1503HS0UN0	
HD-ME5	40GB HDD	855D200101	



Quick Specs

Spec	FS-9530DN	FS-9130DN
Letter Speed	51	40
Letter R Speed	31	27
Legal Speed	31	27
Ledger Speed	26	23
Std./Max. Paper Capacity	1,200/4,200	
FPOT	3.5 sec.	
Warmup	60 sec. or less	
Memory	128MB RAM (std), 640MB (max) opt. 40GB HDD	64MB RAM (std), 576MB (max) opt. 40GB HDD
CPU Speed	600MHz	
Finisher Stack Capacity	Main Tray - 3,000 Sheets	
Staple Position and Capacity	Three Positions - Top Left, Bottom Left, Center Bind; 50 Sheets - Letter, 30 Sheets - Legal, Ledger	
Saddle Stitch and Fold	Up to 10 Sheets (40 Originals) (Requires BF-710 Option)	
Hole Punch	2 and 3 Holes	
Toner Yield	40K	
Drum Yield	500K	
PM Schedule	500K	
Max. Monthly Volume	300K	200K